

# APPLICATION



**BATHROOM**



**UTV/ATV**



**EXCAVATOR**



**RV**



**SUV**



**MARINE**



**MOTORCYCLE**



**HARVESTER**

# H-808N



## Spec

- Waterproof AM/FM Radio MP3 Player
- LCD display
- FM/AM radio
- USB port
- AUX in
- RCA out
- 4X40W Max power
- Bluetooth for audio streaming
- Meet ASTM B117
- Meet ASTM D4329
- Waterproof rating: IP66
- Humiseal coated PCB

# H-832



## Spec

- Waterproof Radio MP3 Player
- LCD display high performance
- FM/AM /DAB(optional)
- USB port
- AUX in
- RCA out
- 4X45W Max power
- Bluetooth for audio streaming
- Meet ASTM B117
- Meet ASTM D4329
- Waterproof rating:IP66
- Humiseal coated PCB

# H-833



## Spec

- Waterproof Radio MP3 Player
- LCD display high performance
- FM/AM /DAB(optional)
- USB port
- AUX in
- RCA out
- 4X45W Max power
- Bluetooth for audio streaming
- Meet ASTM B117
- Meet ASTM D4329
- Waterproof rating:IP66
- Humiseal coated PCB

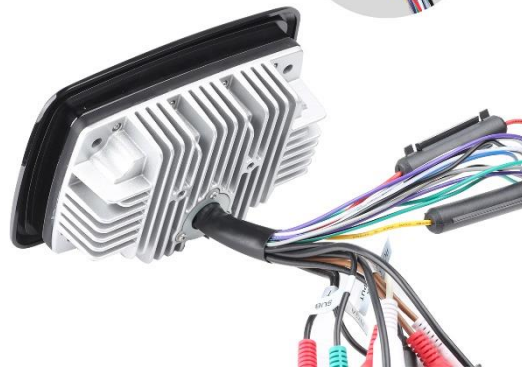
# H-337



## Spec

- Waterproof Radio MP5 Player
- 3" TFT screen high performance
- FM/AM radio
- USB port
- AUX in
- Front/Rear RCA out
- Subwoofer Output
- Reversing aid
- USB Video Input
- 4X45W Max power
- Bluetooth for audio streaming
- Meet ASTM B117
- Meet ASTM D4329
- Waterproof rating:IP66
- Humiseal coated PCB

# H-8103



## Spec

- Waterproof AM/FM Radio MP3 Player
- LCD display performance
- FM/AM radio
- USB port
- AUX in
- RCA out
- 4X45W Max power
- Bluetooth for audio streaming
- Meet ASTM B117
- Meet ASTM D4329
- Waterproof rating:IP66
- Humiseal coated PCB

# H-301



## Spec

- Waterproof Radio MP5 Player
- 3" TFT screen high performance
- FM/AM radio/DAB(optional)
- USB port
- AUX in
- RCA out
- USB Video Input
- 4X45W Max power
- Self 2 zone, expandable up to 5 zone
- Bluetooth for audio streaming
- Meet ASTM B117
- Meet ASTM D4329
- Waterproof rating:IP66
- Humiseal coated PCB

# H-303A



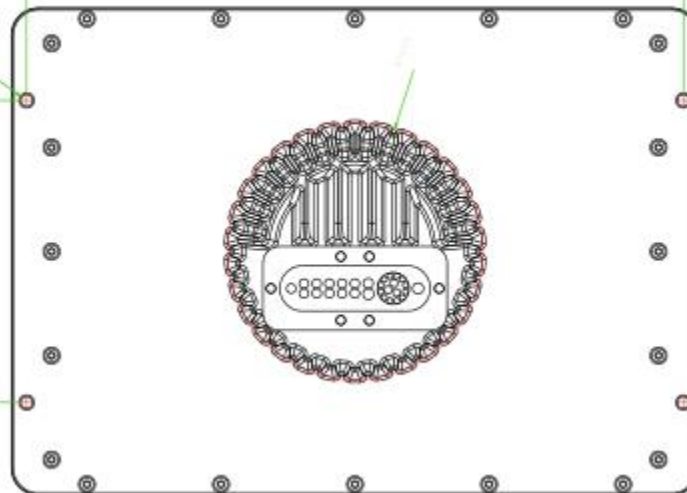
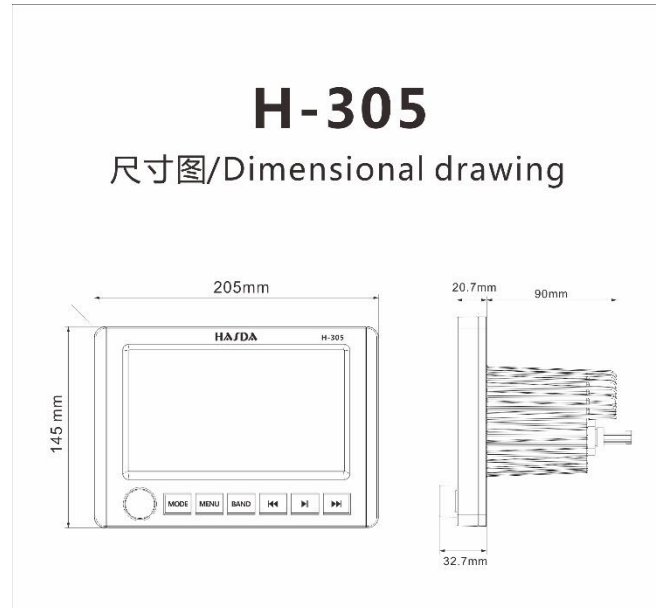
## Spec

- Waterproof radio MP5 player
- 5" touch screen high performance
- FM/AM radio/DAB (optional)
- USB port
- AUX in
- Front/Rear RCA out
- Subwoofer Output
- Reversing aid
- USB Video Input
- 4X45W Max power
- Self 2 zone, expandable up to 5 zone
- Bluetooth audio streaming
- Meet ASTM B117
- Meet ASTM D4329
- Waterproof rating:IP66
- Humiseal coated PCB





# H-305



## Spec

- 7" touch screen radio MP5 player
- high performance FM/AM/DAB(optional)
- USB port
- AUX in
- Front/Rear RCA out
- Subwoofer Output
- Carplay
- Reversing aid
- USB Video input
- 4X45W Max power
- Self 2 zone, expandable up to 5 zone
- Bluetooth audio streaming
- Meet ASTM B117
- Meet ASTM D4329
- Waterproof rating:IP66
- Humiseal coated PCB

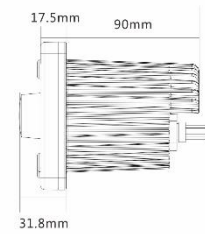
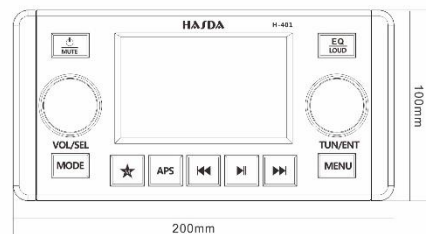
# H-335



## Spec

- Waterproof Radio MP5 Player
- 3" TFT screen high performance
- FM/AM radio/DAB(optional)
- USB port
- AUX in
- Front/Rear RCA out
- Subwoofer Output
- USB Video Input
- 4X45W Max power
- Bluetooth for audio streaming
- Self 2 zone expandable up to 5 zone with extra Amplifier
- Meet ASTM B117
- Meet ASTM D4329
- Waterproof rating:IP66
- Humiseal coated PCB

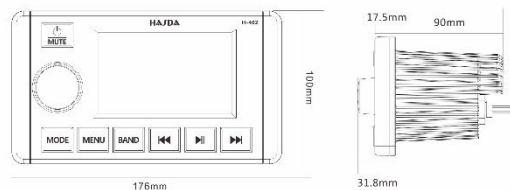
# H-401



## Spec

- Waterproof Radio MP5 Player
- 4" TFT screen high performance
- FM/AM radio/DAB(optional)
- USB port
- AUX in
- Front/Rear RCA out
- Subwoofer Output
- USB Video Input
- 4X45W Max power
- Bluetooth for audio streaming
- Self 2 zone expandable up to 5 zone with extra Amplifier
- Meet ASTM B117
- Meet ASTM D4329
- Waterproof rating:IP66
- Humiseal coated PCB

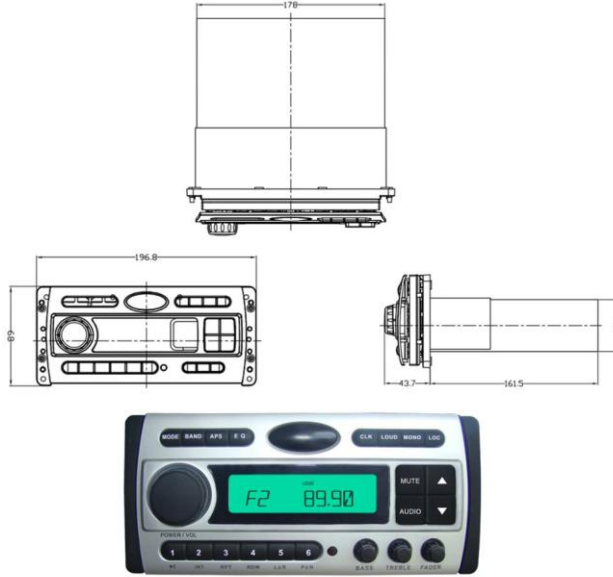
# H-402



## Spec

- Waterproof Radio MP5 Player
- 4" TFT screen high performance
- FM/AM radio/DAB(optional)
- USB port
- AUX in
- Front/Rear RCA out
- Subwoofer Output
- USB Video Input
- 4X45W Max power
- Bluetooth for audio streaming
- Self 2 zone expandable up to 5 zone with extra Amplifier
- Meet ASTM B117
- Meet ASTM D4329
- Waterproof rating:IP66
- Humiseal coated PCB

# H-3008



## Spec

- Waterproof DVD player
- CD ,DVD player
- 30preset radio channel, 18FM/12AM
- USB port
- Audio input an output
- 4X50W Max power
- Bluetooth optional
- Meet ASTM B117
- Meet ASTM D4329
- Waterproof rating:IP66

# H-065



## Spec

- Waterproof Speaker
- Cone Size: 6.5"
- Outside Diameter: 173mm
- Mounting hole diameter: 128mm
- Mounting depth: 62mm
- Impedance: 40ohm
- Frequency Response: 65HZ-18KHZ
- Max Power: 120W
- Tweeter Dome
- Sensitivity:88db
- Waterproof rating:IP66
- Meet ASTM B117
- Meet ASTM D4329

# H-068

## H-068



### Spec

- Waterproof Speaker
- Cone Size: 7"
- Outside Diameter: 190mm
- Mounting hole diameter: 129mm
- Mounting depth: 58mm
- Impedance: 40hm
- Frequency Response: 65HZ-20KHZ
- Max Power: 120W
- Tweeter Dome
- Sensitivity:89db
- Waterproof level:IP66

# H-6108



## Spec

- Waterproof Speaker
- Cone Size: 6.5"
- Outside Diameter: 216mm
- Enclosure length : 300mm
- Impedance: 40hm
- Frequency Response:120HZ-20KHZ
- Max Power: 120W
- Tweeter Dome
- Sensitivity:88db
- Waterproof rating:IP66
- Meet ASTM B117
- Meet ASTM D4329



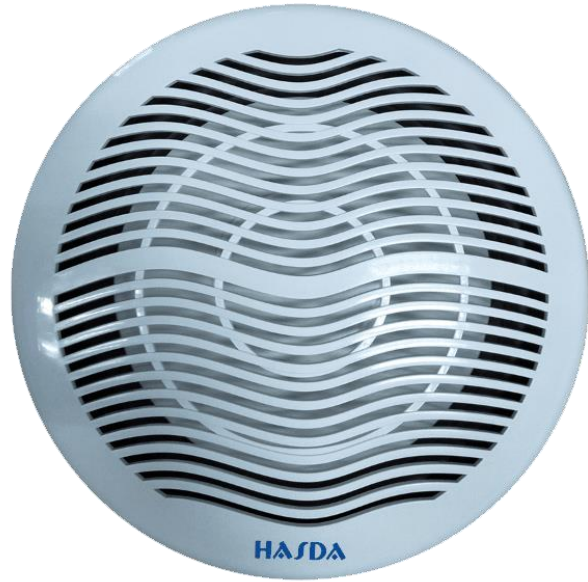
# H-6208



## Spec

- Waterproof tower Speaker
- Cone Size: 8"
- Outside Diameter: 210mm
- Enclosure length: 310mm
- Impedance: 40hm
- Frequency Response: 120HZ-18KHZ
- Max Power: 120W
- Tweeter Dome
- Sensitivity: 88db
- Waterproof rating: IP66
- Meet ASTM B117
- Meet ASTM D4329

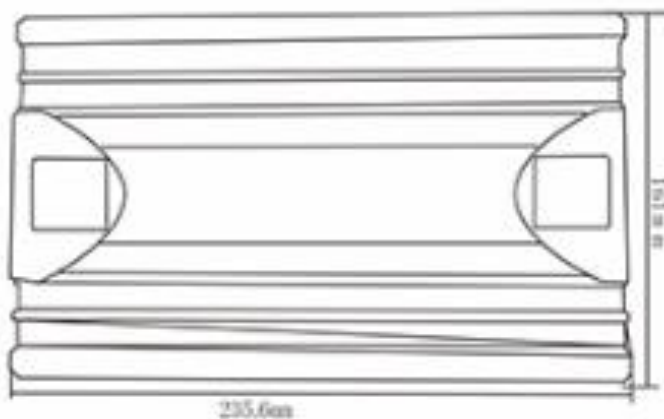
# H-1016W



## Spec

- Waterproof Subwoofer
- Cone Size: 10"
- Outside Diameter: 268mm
- Mounting hole diameter: 229mm
- Mounting depth: 142mm
- Impedance: 40hm
- Frequency Response: 30HZ-4KHZ
- Max Power: 500W
- RMS:250w
- Sensitivity:93db
- Waterproof level:IP66
- Meet ASTM B117
- Meet ASTM D4329

# H-2104



## Spec

- 300w x 4 Max output
- 4 channels
- 100wx4 @4ohm RMS
- 150wx4 @2ohm RMS
- 200w x 2 bridged @4ohm RMS
- Impedance: 2-8Ohm
- S/N:90dB
- Frequency Response:20HZ-20KHZ
- Variable Low/high pass: X- over
- Variable Bass & Treble:(0-12dB)

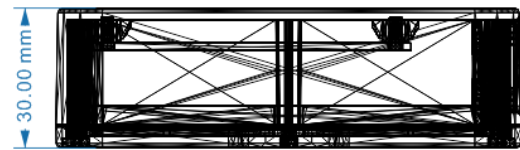
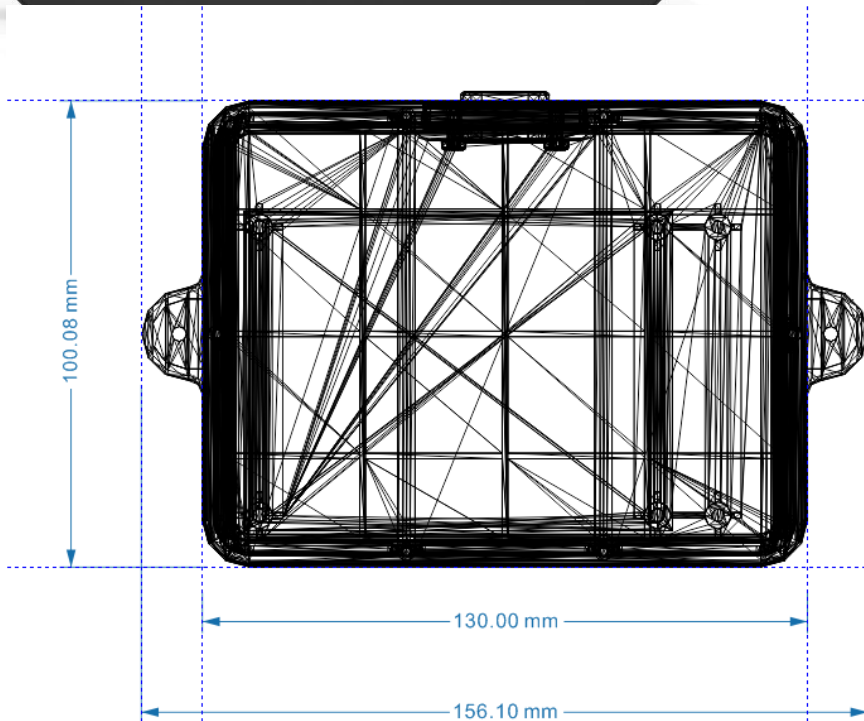
# H-2106



## Spec

- Input voltage: 0.2v-5v
- Current: 40A
- Output power: 2x80w + 1x200w @ 40hms
- Impedance: 20hms
- Frequency : 120HZ-20KHZ
- SNR: > 95dB
- Static current: 0.75a
- Sensitivity:91db
- HPF: 50HZ -1.2KHZ

# H-090



## Spec

- 300w x 2 Max output
  - 100wx2@4ohm RMS
  - Impedance: 40hm
  - S/N:88dB
  - Frequency Response:20HZ-20KHZ
- Waterproof rating:IP66  
Meet ASTM B117  
Meet ASTM D4329













